

EE 595 Project Abstract: Team 6

FlameCharger



Austin
Weichert



Brittany
Schwartz



Chris
Piontek



Mohammed
Aljuraishi



Steven
Hackbarth



Ted
Pedriana



EE 595 Product Description

FlameCharger

- A product that uses heat to make power
- Charge your electronic devices using a campfire
- Compatible with USB devices and 12V devices
- Improved efficiency with advanced cooling regulation
- LCD Display showing system status
- No extra resources needed

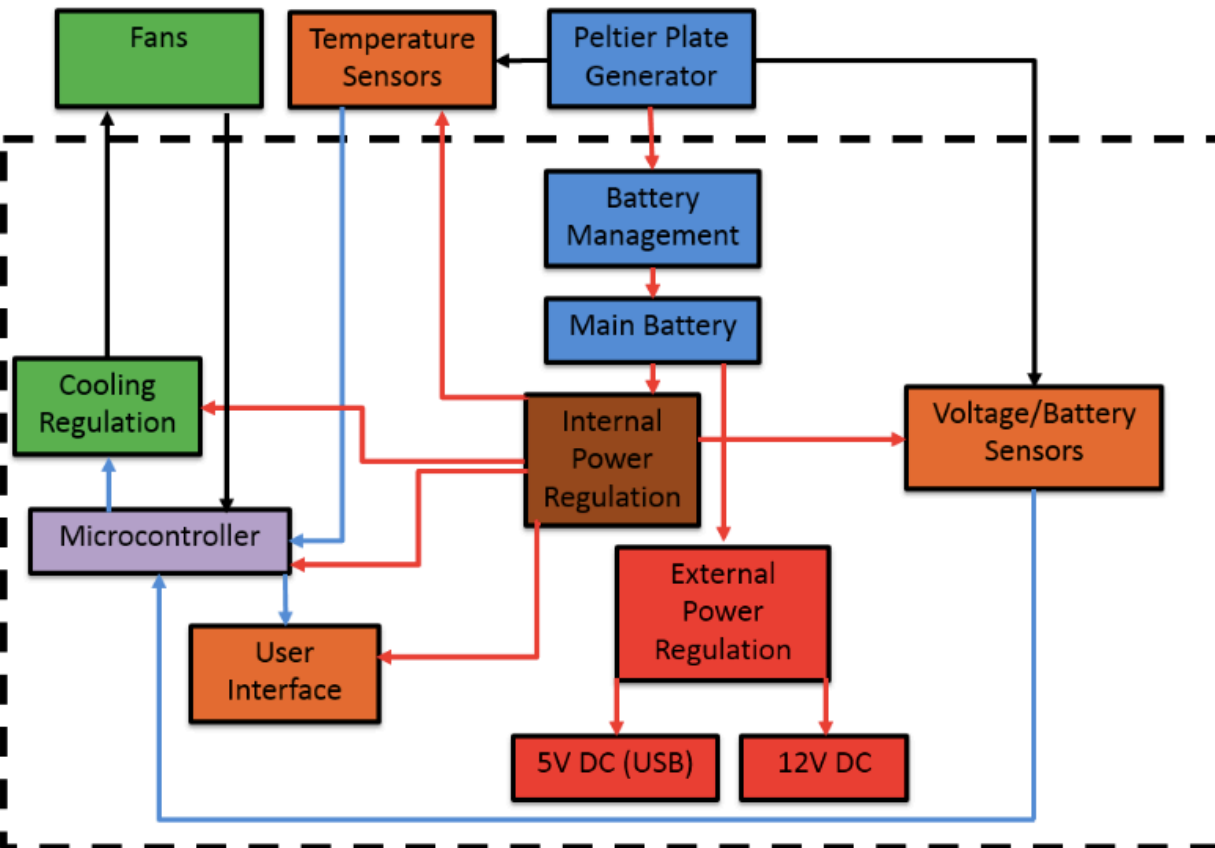
EE 595 Key Requirements

FlameCharger

- Output Voltage: 4.9V-5.1V 1A, 11.76V-12.24V 1A
- Operating Temp Range: -40C to 85C
- Product Lifetime: 20 years
- Battery Lifetime: 3 years
- Battery Type: Lithium-ion Battery
- Usable Power: 10W
- Cost: \$235
 - Component Target: \$140
 - Assembly/Test Target: \$15

EE 595 Block Diagram

FlameCharger



Block Ownership

1. Ted
2. Austin
3. Chris
4. Steven
5. Mo
6. Brittany

POWER – Red line
Analog – Black line
Digital – Blue line