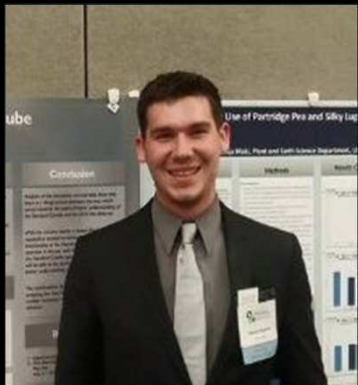


Ibrahim Alhamili



Samuel Gardner



TEAM 6

WIRELESS BLUETOOTH RECEIVER AUDIO ADAPTER



AmazonBasics Bluetooth 4.0 Audio Receiver

Christopher Pinter



James Lee



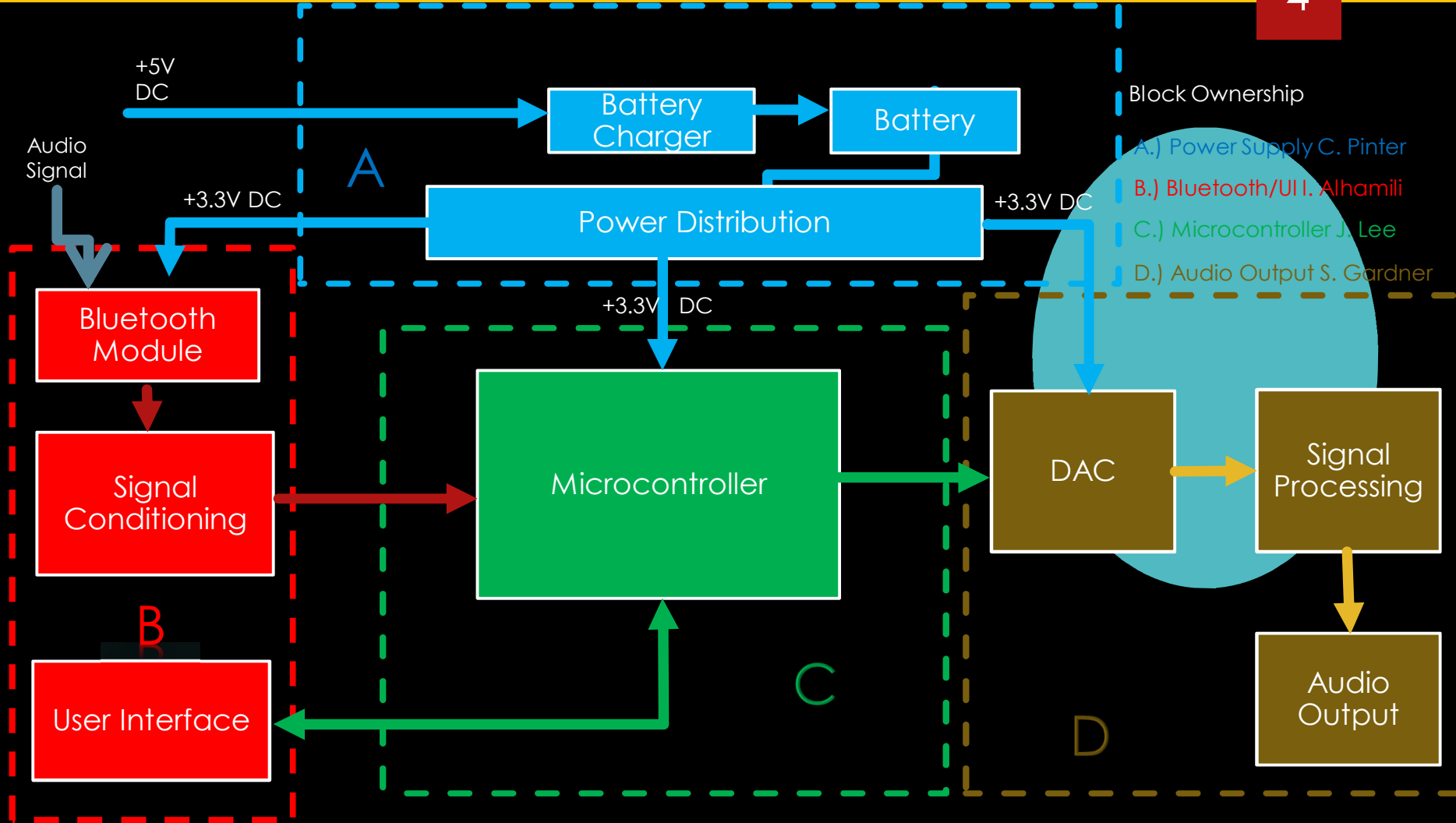
Product Description: Wireless Bluetooth Receiver Audio Adapter

- ▶ Compact and lightweight build to easily tuck away and take on your travel
- ▶ Enables traditional speakers with Bluetooth for wireless audio streaming from a range of 33 feet.
- ▶ Allows for standard 3.5mm headphones to be interfaced with Bluetooth enabled devices.
- ▶ Provides wireless interface to home theaters, stereo systems, and car stereos.
- ▶ Intended Market Geography will be the USA.

Key Requirements

- ▶ Cost
 - ▶ Sales Price: \$40, Component Cost: \$25, Assembly & Test Costs: \$2.50
- ▶ Environment
 - ▶ Indoor, Outdoor (Dry)
 - ▶ Operating Temp Range: -25 to 45 °C
 - ▶ Operating Humidity Range: 0 to 100%
- ▶ Power Input
 - ▶ Regulated USB DC Power: 4.75 to 5.25V @ 2.1Amps Max
 - ▶ Rechargeable battery: 1 Li-ion, 3.7V, 400mA
- ▶ Major Functions
 - ▶ Streaming range: Minimum of 10 meters
 - ▶ Operation time: Minimum of 6 hours of streaming
 - ▶ Audio Quality:
 - ▶ 24 Bit resolution, High SNR and Dynamic Range at least 90dB for each.
 - ▶ Human hearing frequency response
 - ▶ Range of 20Hz to 20kHz





- Block Ownership
- A.) Power Supply C. Pinter
 - B.) Bluetooth/UI I. Alhamili
 - C.) Microcontroller J. Lee
 - D.) Audio Output S. Gardner